

# DHBT Series

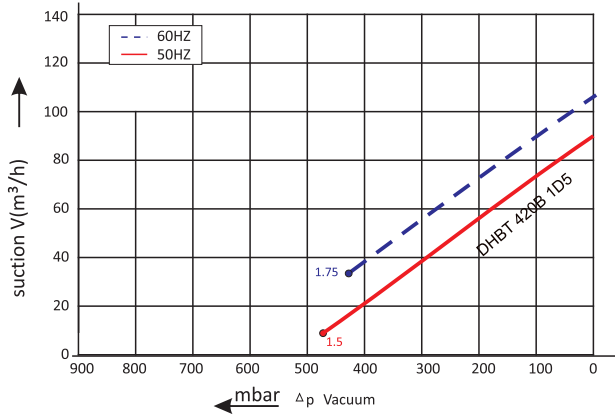
## DHBT 420B 1D5

Technical datasheet

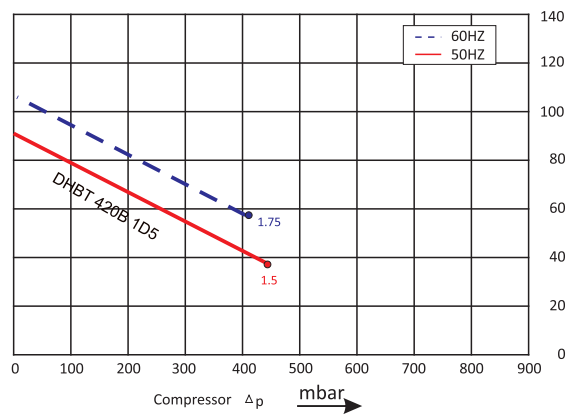


### Dereike blower performance curves

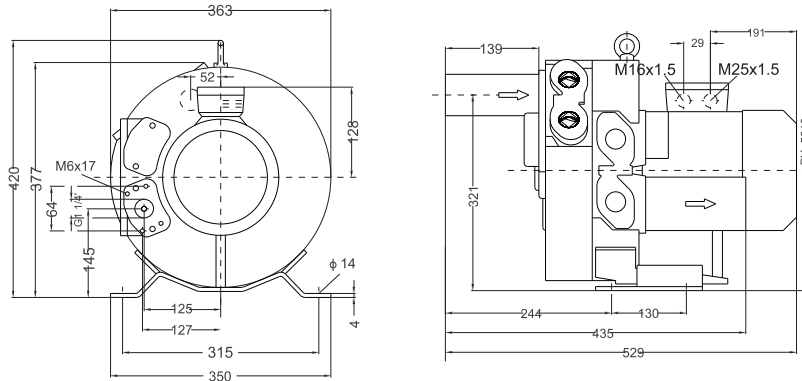
Vacuum selection diagram curve



Compressor selection diagram curve



### Dereike blower installation drawing



### Dereike blower installation parameter

Model	Frequency	Output	Voltage	Current	Airflow	Pressure		Noise	Weight
						vacuum mbar	compressor mbar		
DHBT 420B 1D5	50	1.5	200-240△/345-415Y	7.5△/4.3Y	87	-480	450	61	33
	60	1.75	220-275△/380-480Y	7.6△/4.4Y	105	-430	410	66	33

The performance curves of Dereike blower is tested through below ways:

Under one atmospheric pressure, suck 15°C air and then you can calculate the data, of course allow 10% difference, and when the sucked air and surroundings temperature are not higher than 25°C, you still can get total pressure difference as the curves shows.