

DHBT Series

DHBT 220B 1D5

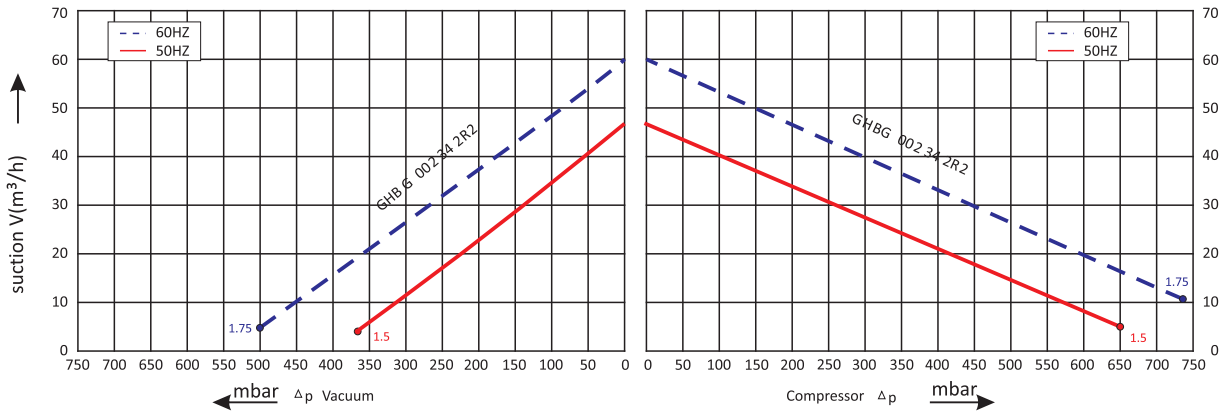
Technical datasheet



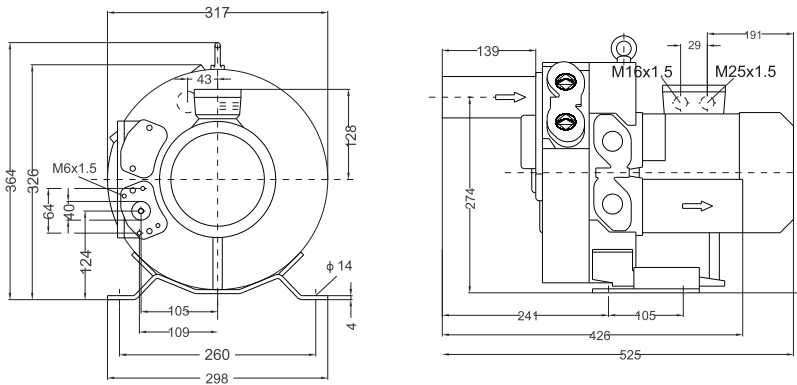
Dereike blower performance curves

Vacuum selection diagram curve

Compressor selection diagram curve



Dereike blower installation drawing



Dereike 1D5 installation parameter

Model	Frequency	Output	Voltage	Current	Airflow	Pressure		Noise	Weight
						vacuum mbar	compressor mbar		
DHBT 220B 1D5	50	1.5	200-240 Δ /345-415Y	7.5 Δ /4.3Y	47	-370	650	58	28
	60	1.75	220-275 Δ /380-480Y	7.5 Δ /4.3Y	60	-500	740	62	28

The performance curves of Dereike blower is tested through below ways:

Under one atmospheric pressure, suck 15°C air and then you can calculate the data, of course allow 10% difference, and when the sucked air and surroundings temperature are not higher than 25°C, you still can get total pressure difference as the curves shows.