

# DHB Series

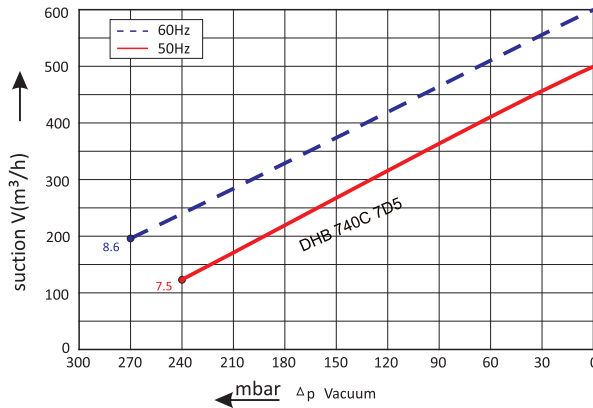
## DHB 740C 7D5

### Technical datasheet

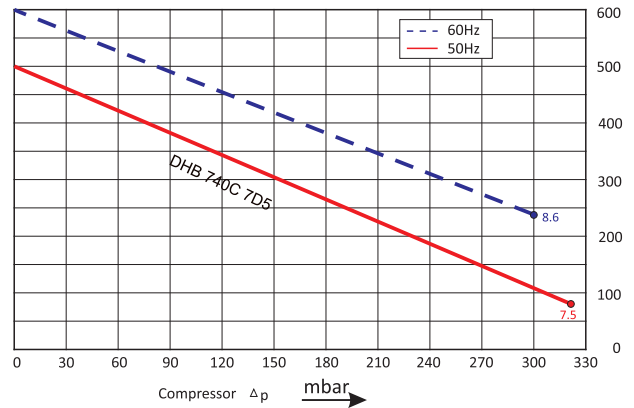


#### Dereike blower performance curves

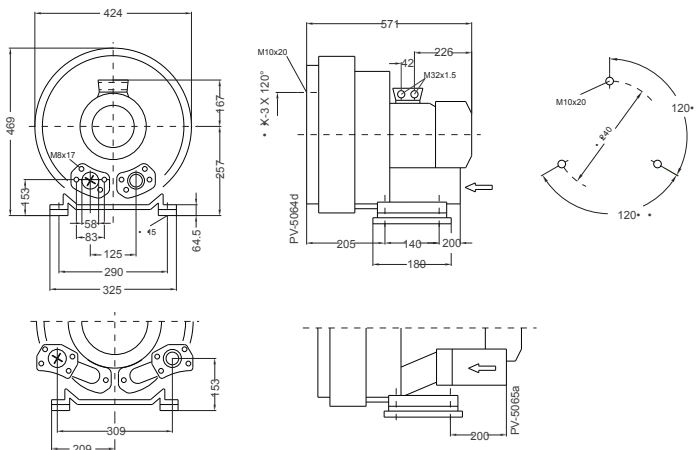
##### Vacuum selection diagram curve



##### Compressor selection diagram curve



#### Dereike blower installation drawing



#### Dereike blower installation parameter

Model	Frequency	Output	Voltage	Current	Airflow	Pressure		Noise	Weight
						vacuum mbar	compressor mbar		
DHB 740C 7D5	50	7.5	345-415△/600-690Y	16.7△/9.6Y	500	-240	320	74	75
	60	8.6	380-480△/660-720Y	17.3△/10.0Y	600	-270	300	78	75

The performance curves of Dereike blower is tested through below ways:

Under one atmospheric pressure, suck 15°C air and then you can calculate the data, of course allow 10% difference, and when the sucked air and surroundings temperature are not higher than 25°C, you still can get total pressure difference as the curves shows.